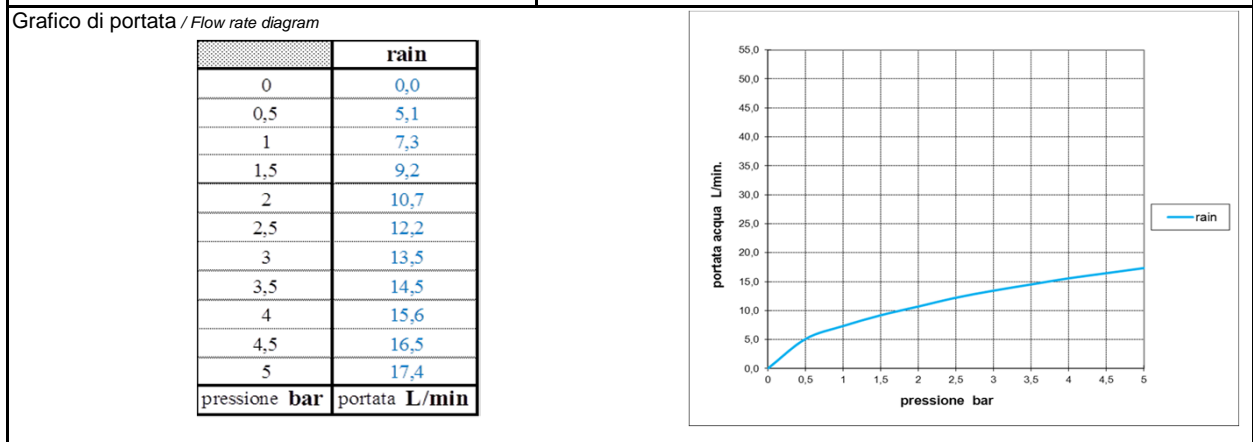
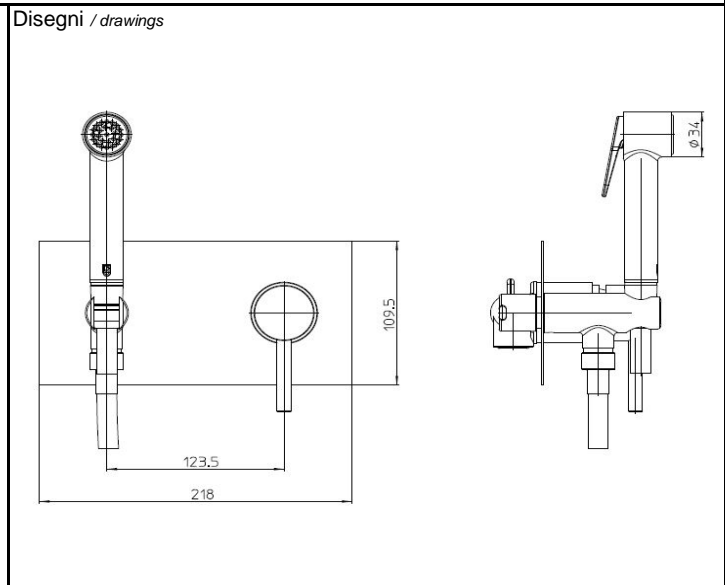


	SCHEDA TECNICA TECHNICAL SHEET	Date: 13/02/2017	Rev/0

Codice / Code: Z005395	Descrizione / description: Miscelatore incasso con doccia a pulsante, supporto presa acqua 1/2" M c/ arresto acqua di sicurezza e flessibile Cromolux retinato nylon cm 125. <i>Concealed shower mixer, bidet handspray, 1/2" M shower holder w/water supply and safety stop valve, Cromolux reinforced nylon hose 125 cm.</i>
---	---



MATERIALI / materials
PIASTRE IN ACCIAIO AISI 304, GUARNIZIONE DI TENUTA EPDM, RACCORDERIA OTTONE, DOCCIA OTTONE, FLESSIBILE RETINATO NYLON - PLATES MADE BY STAINLESS STEEL (AISI 304), SEALS BY EPDM AND FITTINGS BY BRASS, HANDSHOWER BY BRASS, SHOWER HOSE BY NYLON REINFORCED

CARATTERISTICHE IDRAULICHE / hydraulic features

	pressione pressure	portata flow rate	temperatura temperature	<i>solo per miscelatori termostatici</i> <i>only for thermostatic mixers</i>	
min	1 bar	/	--	Blocco di sicurezza safety lock	/
max	5 bar	/	<70°C	Temperatura acqua fredda cold water temperature	/
consigliata recommended	2-3 bar	5 L/min	--	Temperatura acqua calda hot water temperature	/

CERTIFICAZIONI / CERTIFICATIONS

CONFORMITA' / CONFORMITY
 Chrome plating - EN 248; Mixer EN 817; Hose EN 1113;